

SMITH-COOPER[®]
INTERNATIONAL



SERIES 75



*HIGH PURITY
TUBE FULL PORT
3 & 4 WAY BALL VALVE*

Design & Features

Body Material

316 Stainless Steel

4 Seat Design

3 & 4 way Series 75 valves utilize four seats to securely support the ball.

Flow Plans

A variety of flow plans are available in both "T" and "L" port configurations.

Stem Design

Live-loaded, bottom entry, blowout proof stem featuring packing that extends valve cycle life over conventional ball valves and is best choice for actuation.

Stem seals are live-loaded using Belleville springs to provide consistent sealing forces, reducing or eliminating the need for frequent seal adjustment.

ISO 5211 Integral Direct Mount Mounting Pad

Direct mount pad eliminates need for brackets and couplers*.

Ideal for actuation.

Actuators may be retrofitted on existing Sharpe® Series 75 without disruption of line integrity.

Allows for secondary containment unit to be added when necessary.

End Connections

Clamp ends are readily available.

Polish

Ball and ends are polished to a minimum 20Ra.

Lockable Handle

All Sharpe® Series 75 valves are supplied with lockable lever or pipe handles.

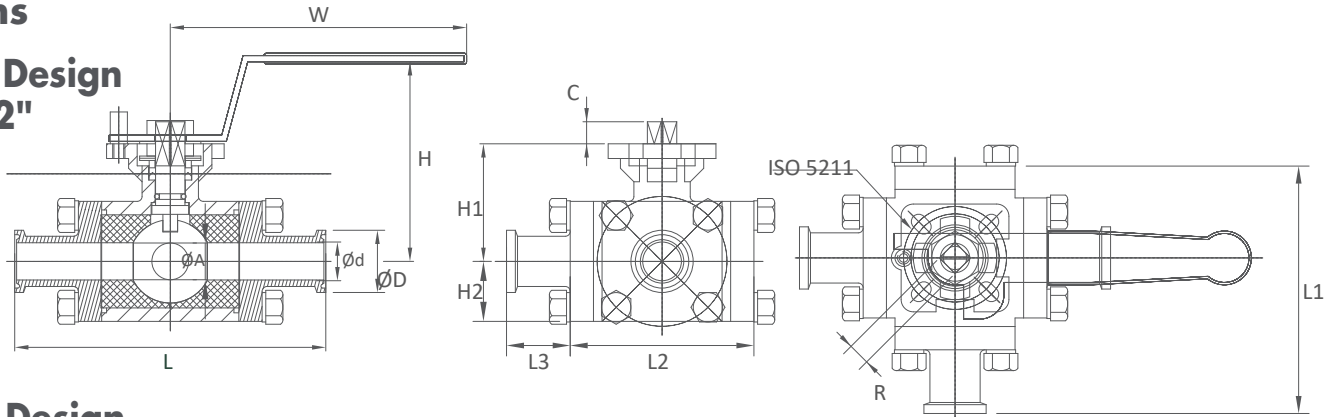
Traceability

Body and end piece castings are marked with heat codes providing traceability to the chemical analysis and material test reports performed at the foundry. CMTR's (Certified Material Test Reports) are available upon request.

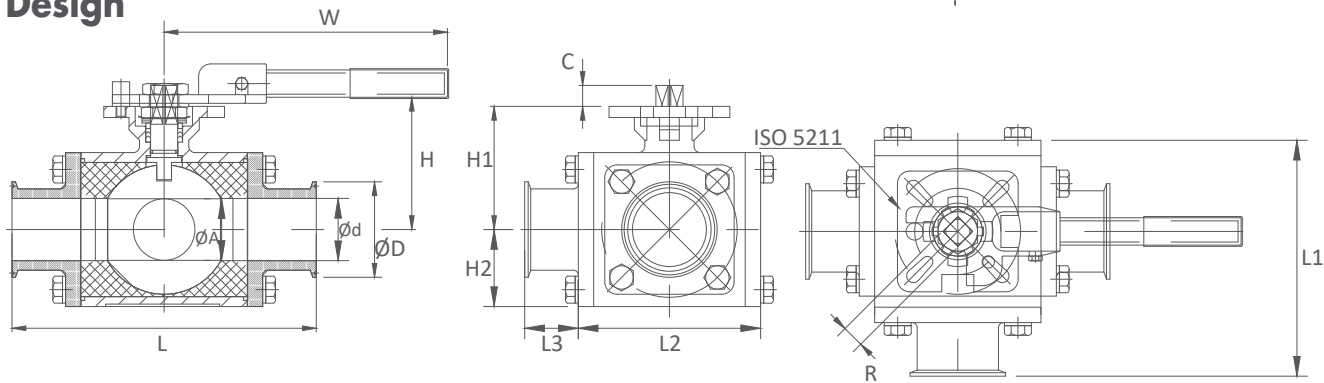
*Mounting bracket must be used for high temperature (>180° F) and steam applications.

Dimensions

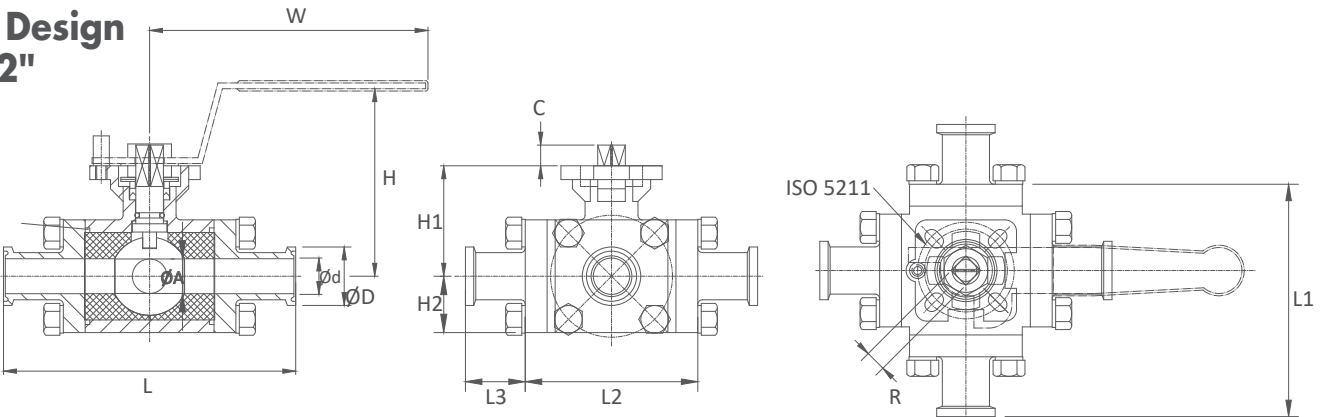
3-Way Design
1/2" - 2"



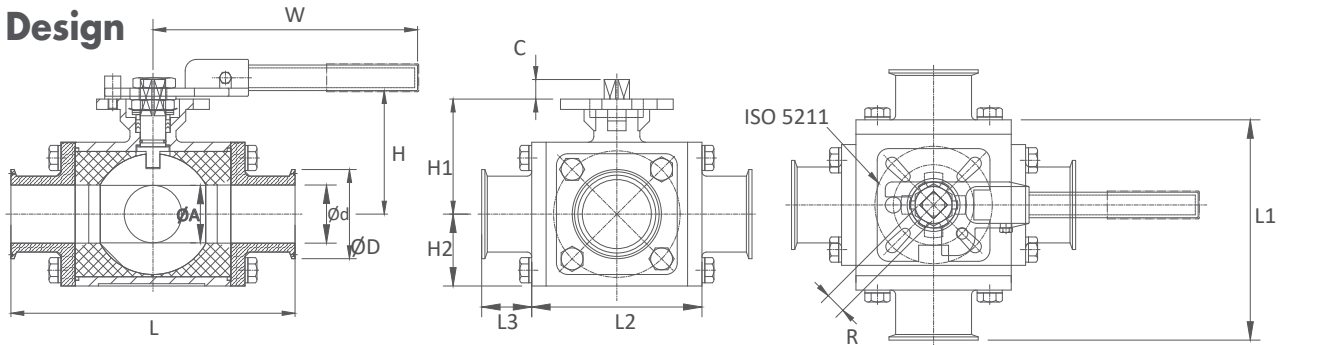
3-Way Design
3"



4-Way Design
1/2" - 2"



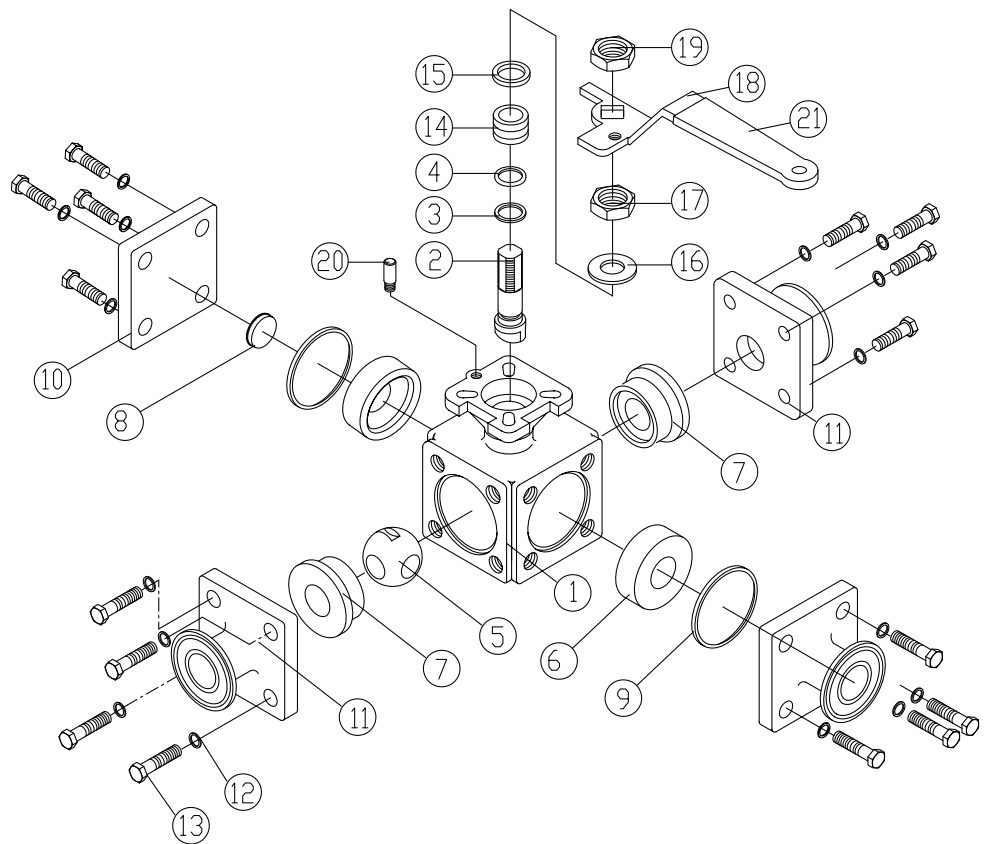
4-Way Design
3"



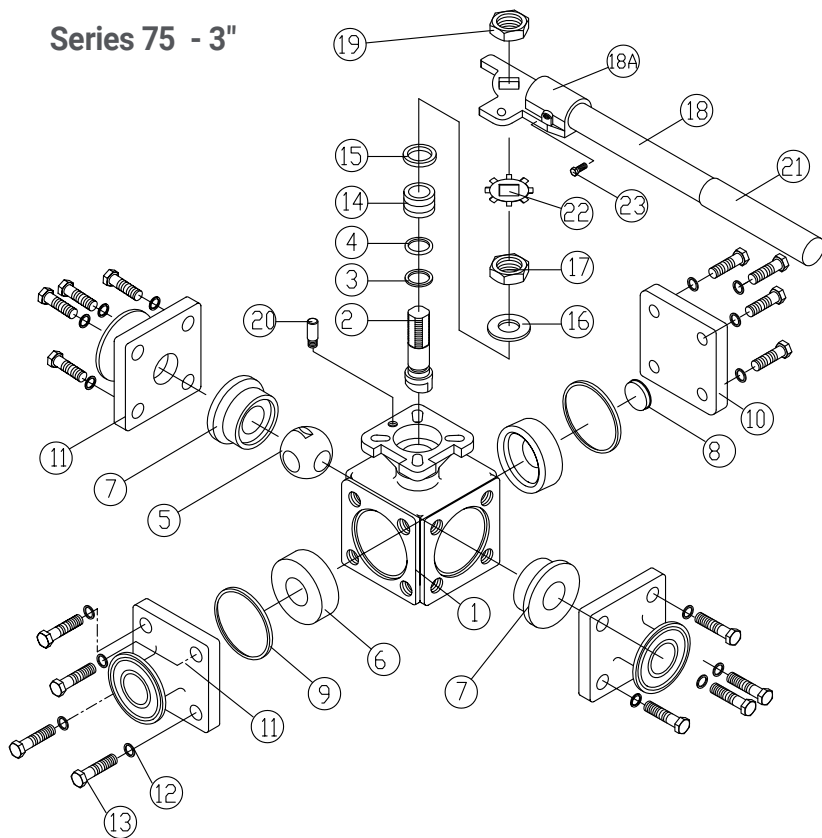
Size	L	L1	L2	L3	H	H1	H2	ØA	Ød	ØD	C	W	ISO	R
1/2	4.65	3.58	2.66	0.92	3.07	1.75	0.93	0.37	0.37	1.00	0.35	4.76	F03 / F04	M12*1.75 - 9
3/4	5.00	3.88	2.87	1.00	3.23	1.89	1.02	0.62	0.62	1.00	0.35	4.76	F03 / F04	M12*1.75 - 9
1	6.00	4.62	3.33	1.30	3.54	2.32	1.20	0.87	0.87	0.80	0.43	5.39	F04 / F05	M14*P2 - 11
1-1/2	6.89	5.48	4.21	1.27	4.09	2.83	1.57	1.38	1.38	1.98	0.55	7.17	F05 / F07	M18*P2.5 - 14
2	7.93	6.55	5.18	1.37	4.51	3.23	1.97	1.87	1.87	2.52	0.55	7.17	F05 / F07	M18*P2.5 - 14
3	10.26	8.03	6.18	1.85	5.28	4.94	2.91	2.87	2.87	3.58	0.91	15.75	F10 / F12	1-1/8*12UNF

Parts & Materials

Series 75 - 1/2" - 2"



Series 75 - 3"

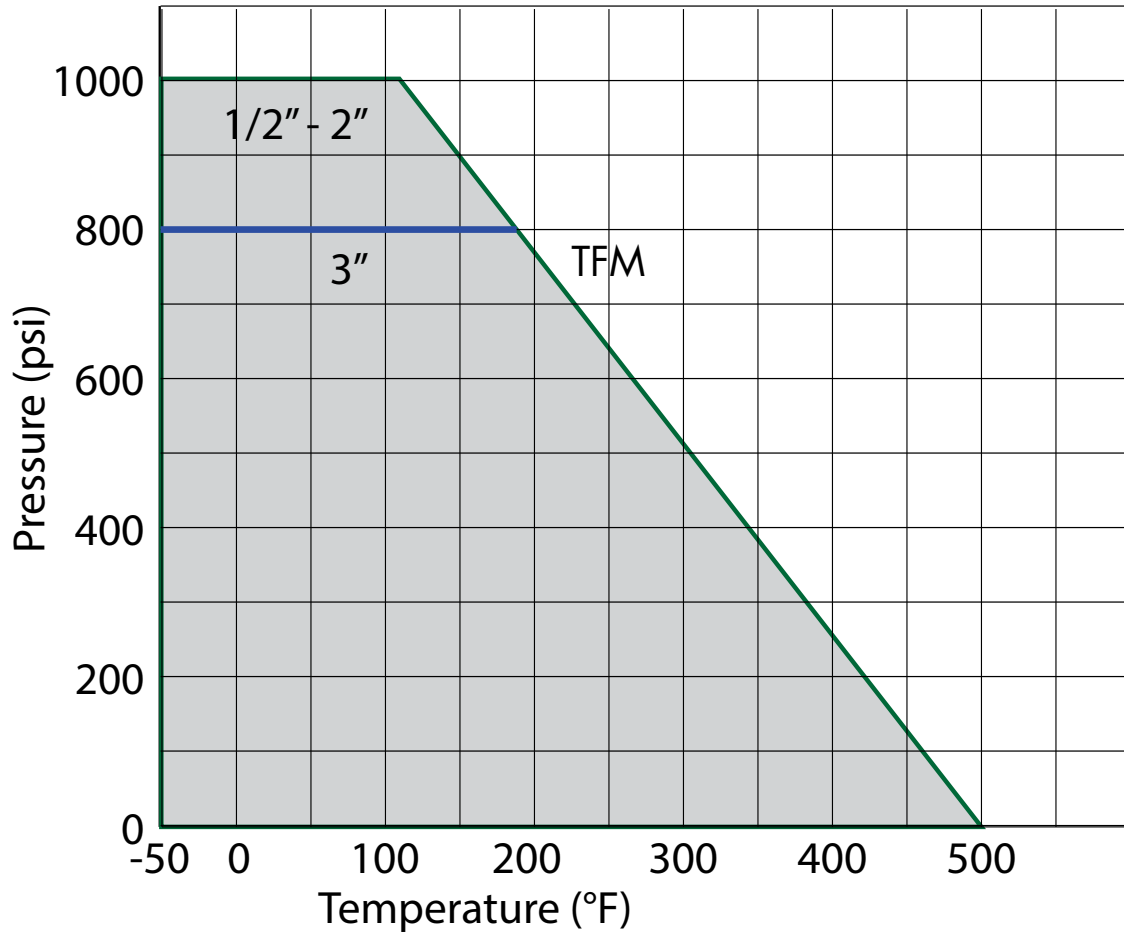


No.	Part Name	Qty	Material
1	Body	1	316 Stainless Steel, ASTM 351 CF8M
2	Stem	1	316 Stainless Steel
3	Thrust Washer	1	PTFE
4	O-Ring	1	Viton®
5	Ball	1	316 Stainless Steel, ASTM 351 CF8M
6	Seat 1	1/2	TFM®, TFM® Cavity Fill
7	Seat 2	1/2	TFM®, TFM® Cavity Fill
8	Seat Cap	0/1	TFM®, TFM® Cavity Fill
9	Gasket	2	PTFE
10	End Cap	0/1	316 Stainless Steel, ASTM 351 CF8M
11	Cap	3/4	316 Stainless Steel, ASTM 351 CF8M
12	Spring Washer	16	300 Series Stainless Steel
13	Bolt	16	300 Series Stainless Steel
14	Stem Packing	1	PTFE
15	Ring	1	300 Series Stainless Steel
16	Bellville Washer	2	300 Series Stainless Steel
17	Stem Nut	1	300 Series Stainless Steel
18	Handle	1	300 Series Stainless Steel
18A	Handle Head	1	300 Series Stainless Steel
19	Handle Nut	1	300 Series Stainless Steel
20	Stop Pin	1	300 Series Stainless Steel
21	Handle Cover	1	Plastic
22	Lock Washer	1	300 Series Stainless Steel
23	Handle Bolt	1	300 Series Stainless Steel

Shown in cavity fill configuration

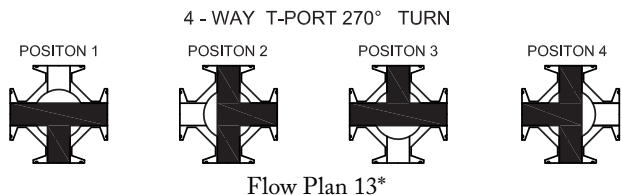
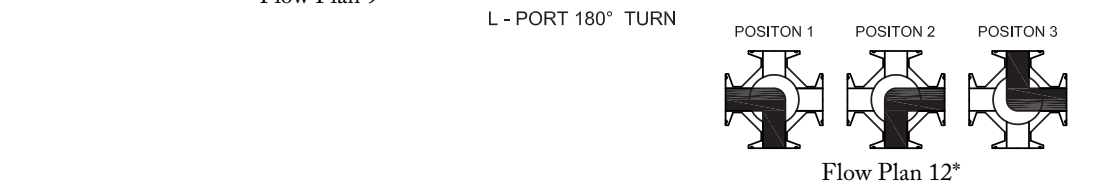
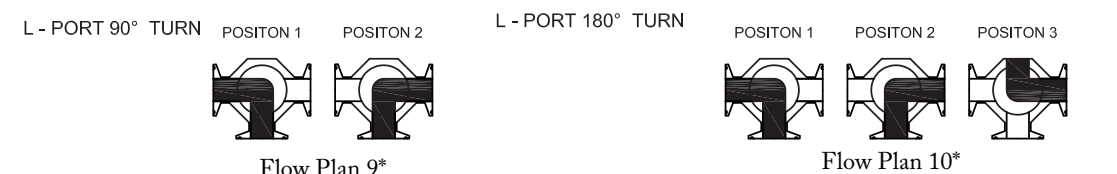
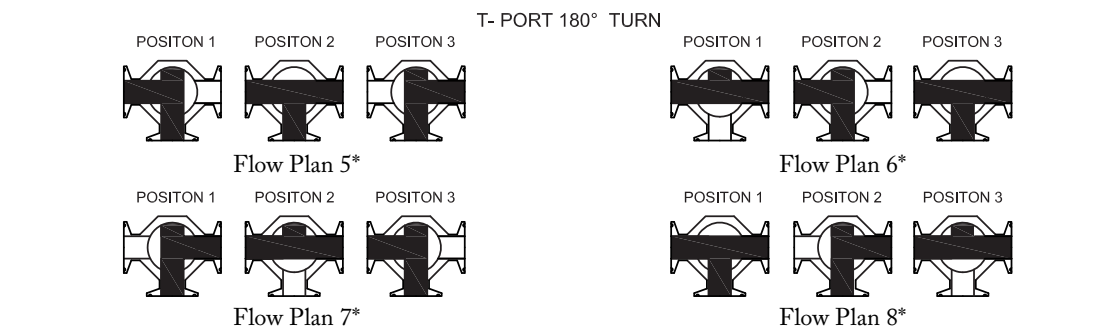
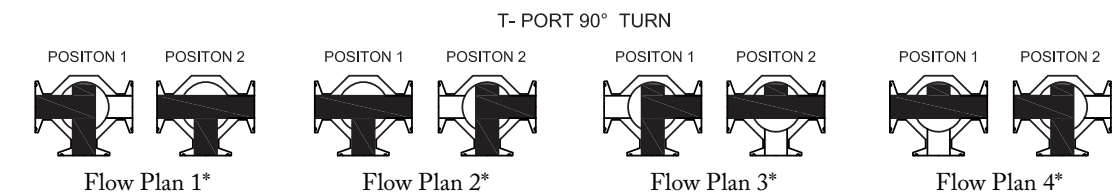
Technical Information

Pressure Temperature Rating



Size	Torque in/lbs
1/2	63
3/4	68
1	88
1-1/2	232
2	544
3	1278

Size	Port Diameter (in.)	L Port	T Port Through	T Port Branched
1/2	0.37	3.5	5.3	3.0
3/4	0.62	11	16	9.2
1	0.87	22	33	16
1-1/2	1.37	56	85	49
2	1.87	110	160	93
3	2.87	270	410	240



*Not to be used as an isolation valve.

How to Order

Size	Series	Body	Ball & Stem	Seat	Seal	End Connection	Flow Plan	Options
1/2	75	6 316 Stainless Steel	6 316 Stainless Steel	M TFM® Seat**	T PTFE	BCE 316 Stainless Steel Clamp Ends	1 7	EP Electro Polish*
3/4							2 8	3 15RA Polish*
1							3 9	SF Silicone Free*
1-1/2							4 10	(as per mfg's standard)
2							5 12	
3							6 13	

*POA

**TFM is a registered trademark of Dyneon, LLC
Due to continuous development of our product range, we reserve the right to change the dimensions and information for this product as required.