

SMITH-COOPER[®]
INTERNATIONAL



SERIES D54



*FLANGED STANDARD PORT
DIVERTER BALL VALVE*

Design & Features

Body Material

316 Stainless Steel & Carbon Steel

Stem Design

Live-loaded, bottom entry, blowout proof stem featuring packing that extends valve cycle life over conventional ball valves and is best choice for actuation.

Stem seals are live-loaded using Belleville springs to provide consistent sealing forces, reducing or eliminating the need for frequent seal adjustment.

ISO 5211 Integral Mounting Pad

Ideal for actuation.

Centering lip feature assures precise alignment of bracket, stem and coupler

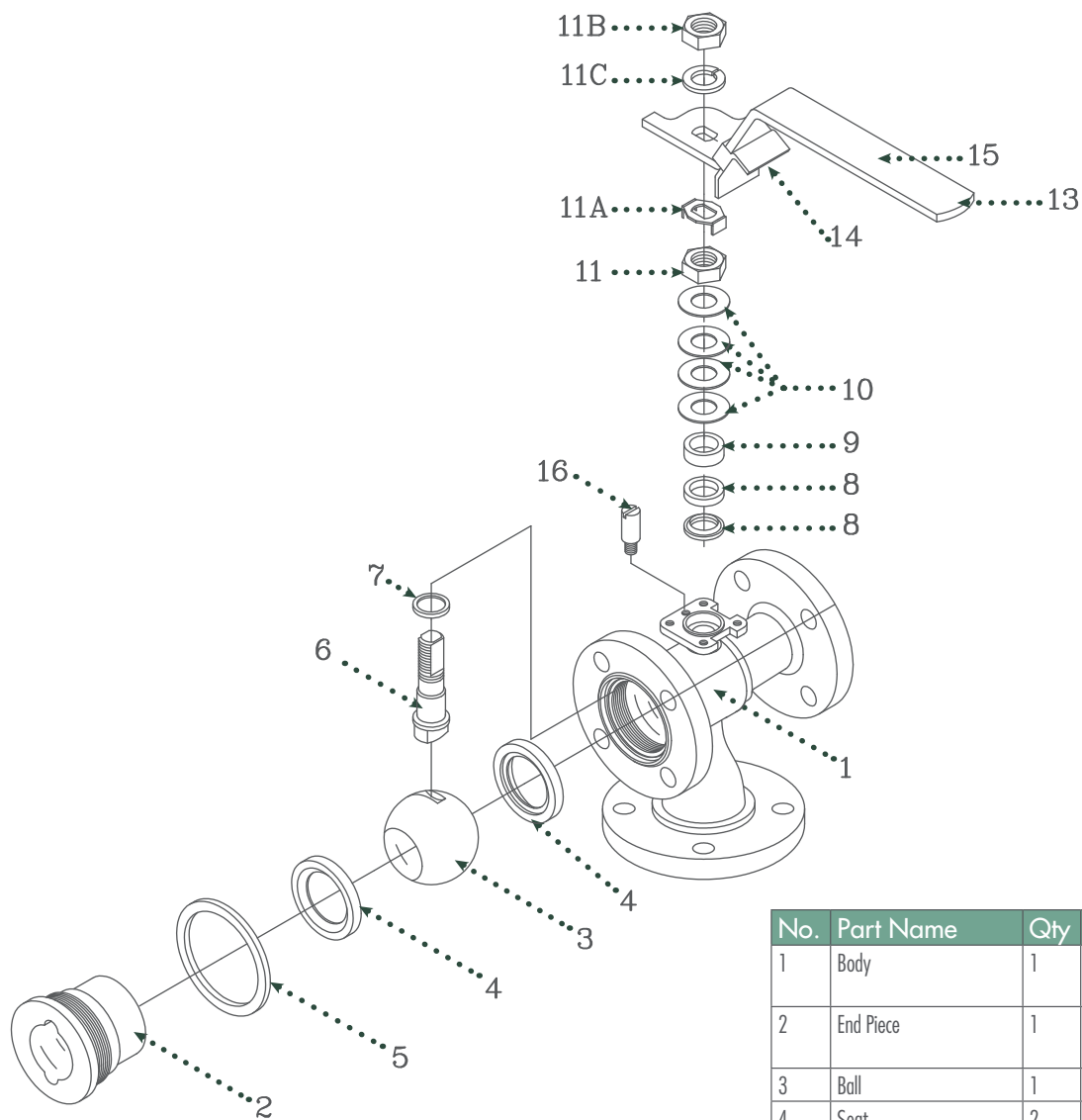
Actuators may be retrofitted on existing Sharpe® Series D54 without disruption of line integrity.

Allows for secondary containment unit to be added when necessary.

Lockable Handle

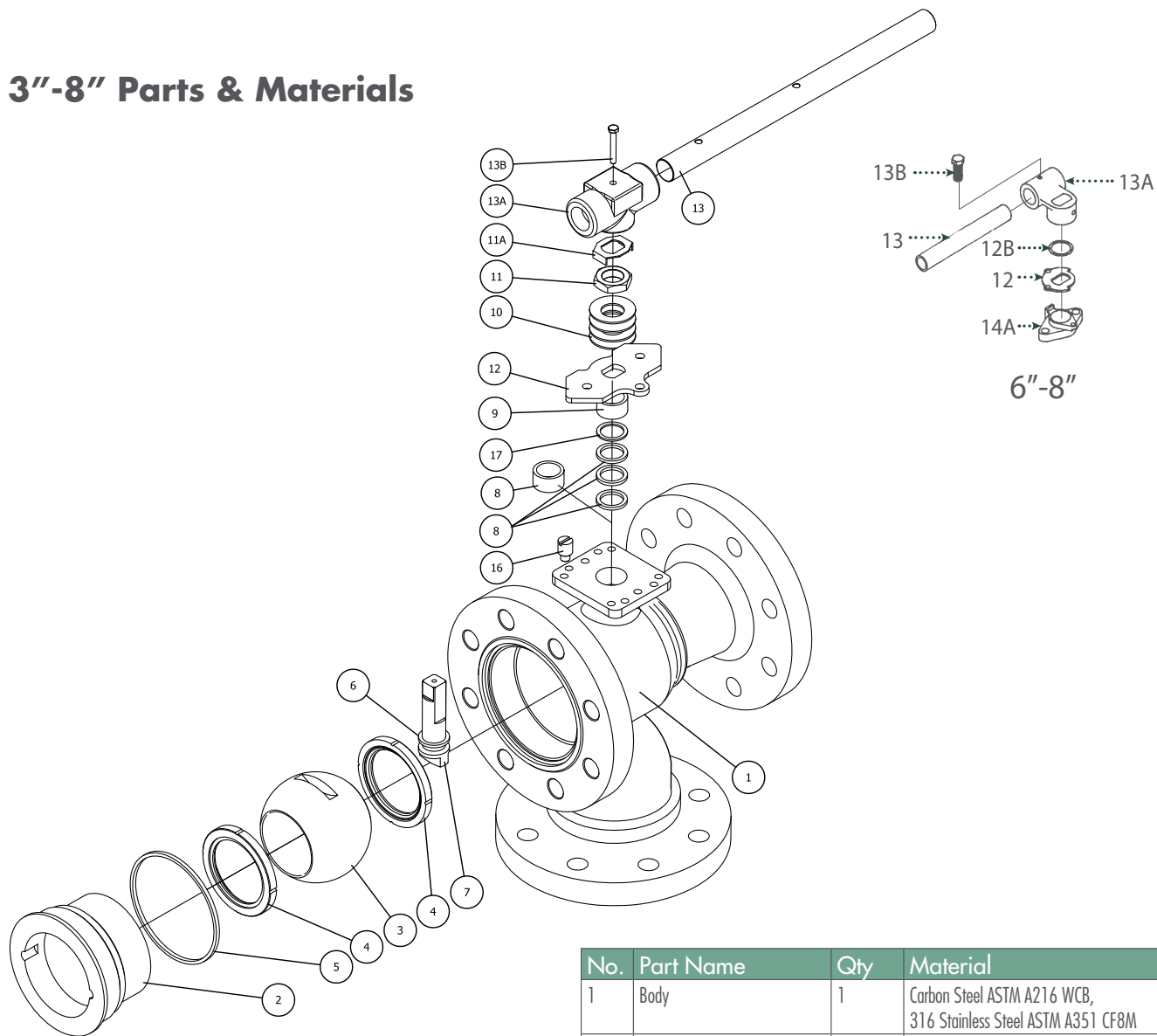
All Sharpe® Series D54 valves are supplied with lockable lever or pipe handles.

1"-2½" Parts & Materials



No.	Part Name	Qty	Material
1	Body	1	Carbon Steel ASTM A216 WCB, 316 Stainless Steel ASTM A351 CF8M
2	End Piece	1	Carbon Steel ASTM A216 WCB, 316 Stainless Steel ASTM A351 CF8M
3	Ball	1	316 Stainless Steel
4	Seat	2	TFM®, PTFE, Nova
5	Body Seal	1	PTFE or Graphite
6	Stem	1	316 Stainless Steel
7	Thrust Bearing	1	RTFE
8	Stem Packing	2/3	RTFE
9	Gland	1	300 Series Stainless Steel
10	Belleville Washer	4	300 Series Stainless Steel
11	Packing Nut	1	300 Series Stainless Steel
11A	Lock Tab	1	300 Series Stainless Steel
11B	Handle Nut	1	300 Series Stainless Steel
11C	Lock Washer	1	300 Series Stainless Steel
13	Handle	1	300 Series Stainless Steel (1" - 2") Galvanized Steel (2-1/2")
14	Locking Device (1" - 2")	1	300 Series Stainless Steel
15	Sleeve	1	PVC
16	Stop Pin	1	300 Series Stainless Steel

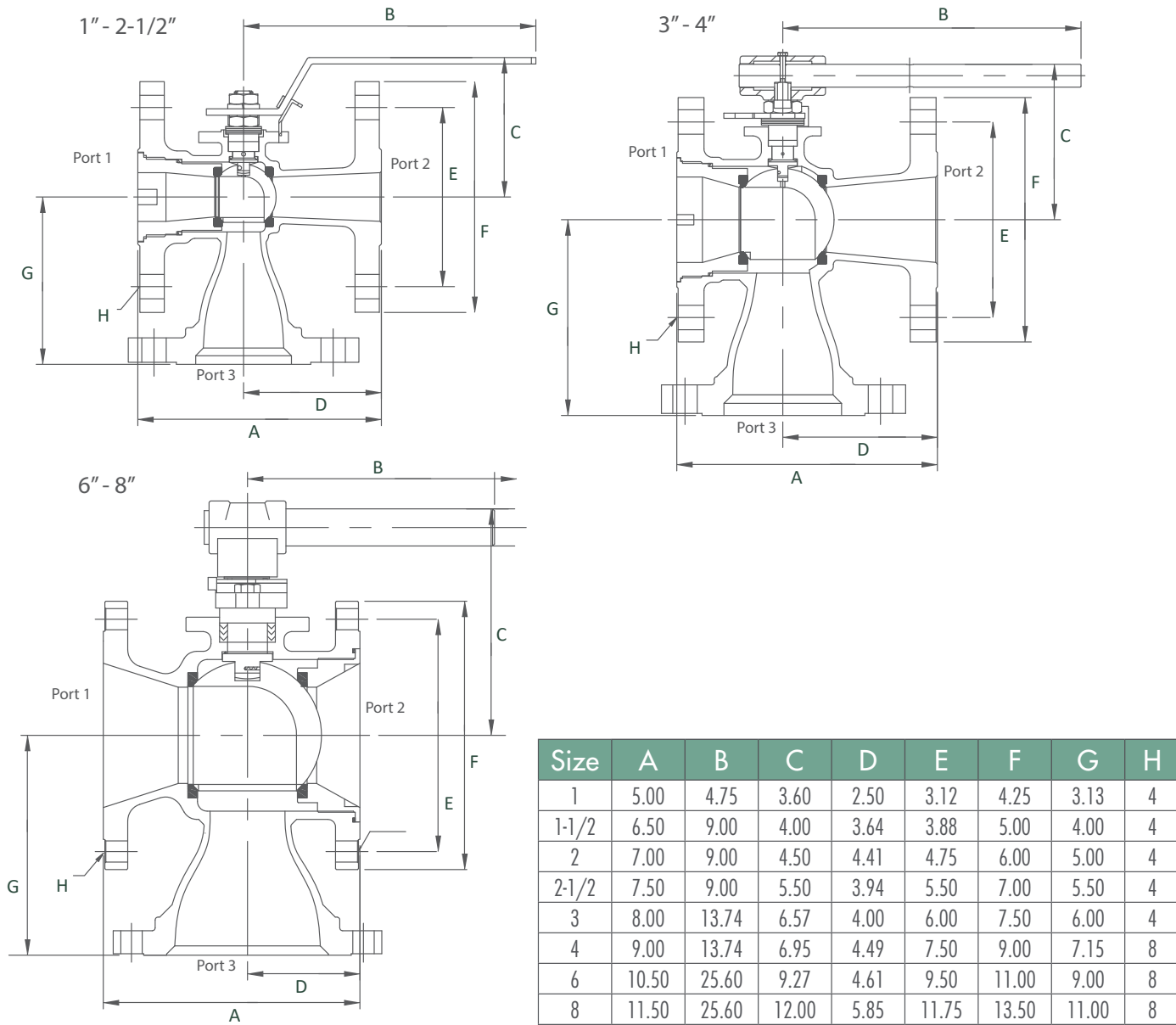
3"-8" Parts & Materials



3"-4"

No.	Part Name	Qty	Material
1	Body	1	Carbon Steel ASTM A216 WCB, 316 Stainless Steel ASTM A351 CF8M
2	End Piece	1	Carbon Steel ASTM A216 WCB, 316 Stainless Steel ASTM A351 CF8M
3	Ball	1	316 Stainless Steel
4	Seat	2	TFM®, PTFE, RTFE or Nova
5	Body Seal	1	PTFE or Graphite
6	Thrust Bearing	1	RTFE
7	Stem	1	316 Stainless Steel
8	Stem Packing	1/2/3	RTFE or Graphite
9	Gland	1	300 Series Stainless Steel
10	Belleville Washer (1" to 4")	4	300 Series Stainless Steel
11	Packing Nut (1" to 4")	1	300 Series Stainless Steel
11A	Lock Tab (1-1/2" to 4")	1	300 Series Stainless Steel
12	Stopper	1	300 Series Stainless Steel
12B	Snap Ring	1	Carbon Steel
13	Handle	1	Galvanized Steel
13A	Wrench Block	1	300 Series Stainless Steel
13B	Hex Head Bolt	1	300 Series Stainless Steel
14A	Gland Flange	1	300 Series Stainless Steel
16	Stop Pin	1	300 Series Stainless Steel
17	Stem Packing Protector Ring	1	300 Series Stainless Steel

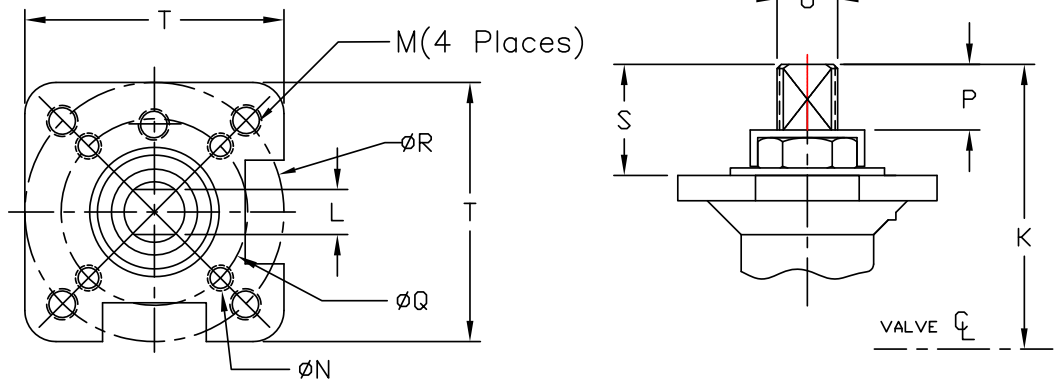
Dimensions



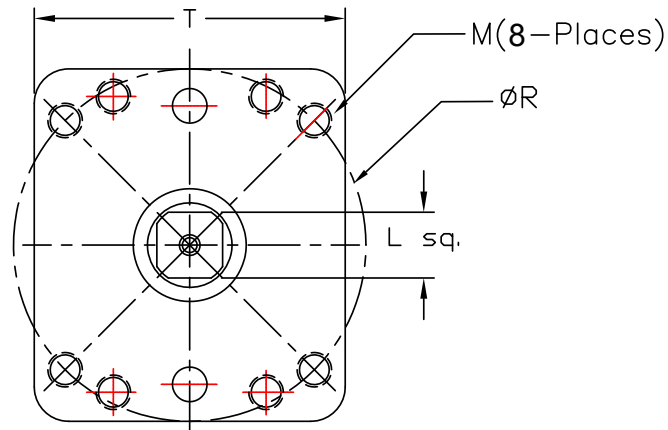
Size	Port 1 Port 2	Port 3	Approx. Weight (lbs.)	C _v
1	0.79	0.62	8.5	15
1-1/2	1.20	1.05	13.9	36
2	1.50	1.38	22.4	54
2-1/2	2.00	1.61	40.8	90
3	2.50	2.07	46.8	195
4	3.00	2.47	67.3	360
6	4.00	3.07	146.9	540
8	6.00	4.02	211.3	810

The dimensions above are for information only. Please refer to Sharpe® Valves if you need dimensions for construction.

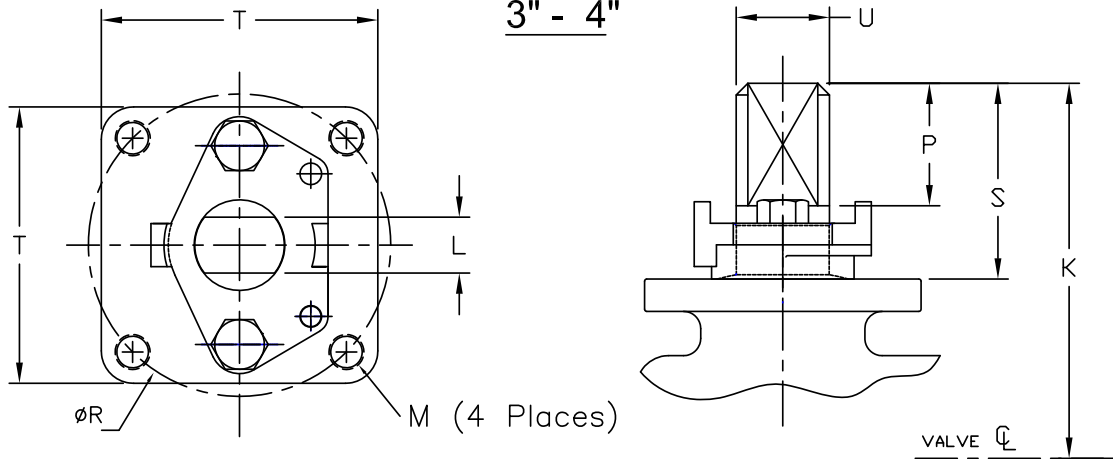
Dimensions



1" - 2 1/2"



3" - 4"

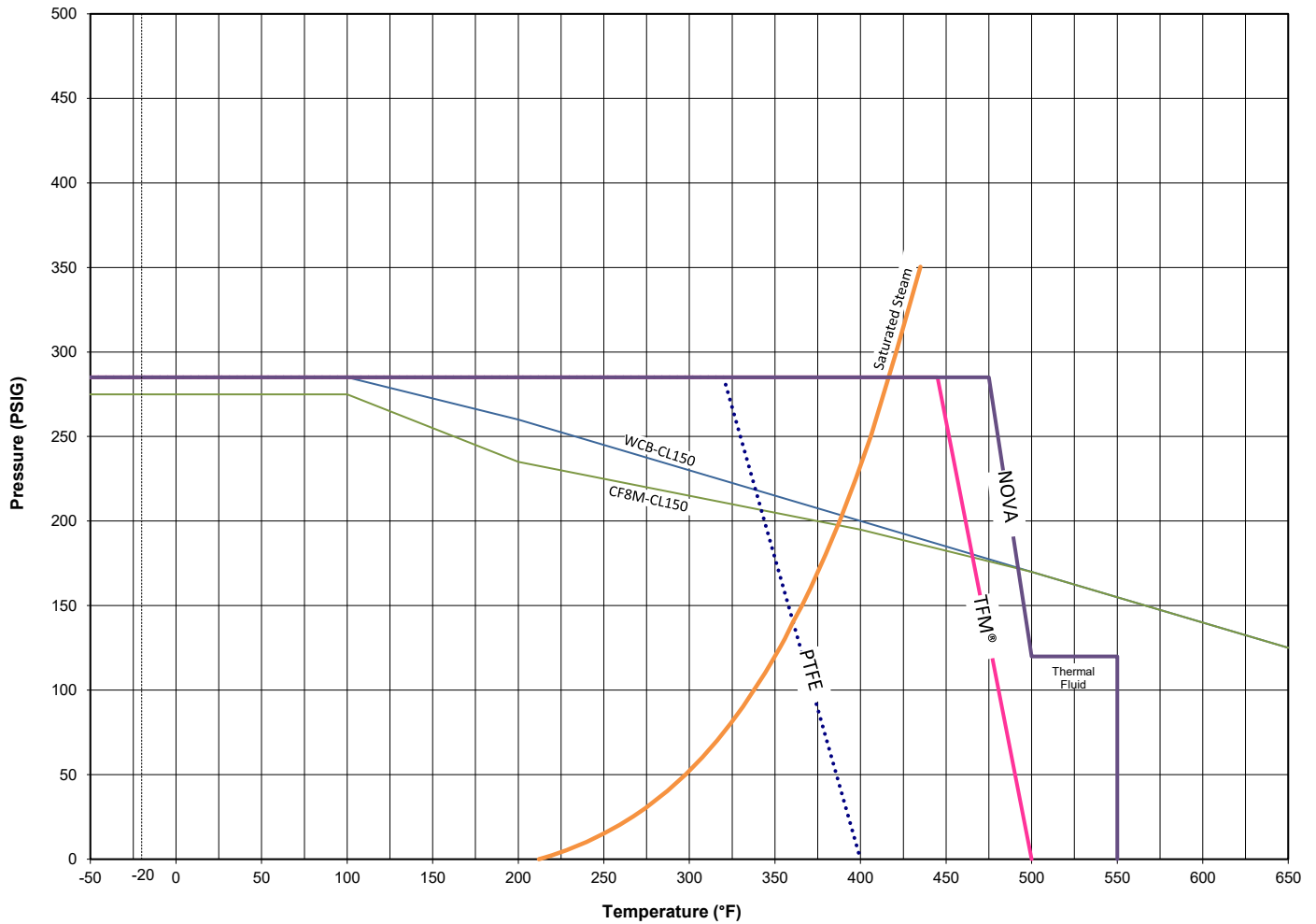


6" - 8"

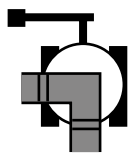
Size	K	L	M	P	R	S	T	U
1	2.22	.224	M6 x 1.0	0.35	1.67 (F05)	0.75	1.69	0.375
1-1/2	3.24	.343	M8 x 1.25	0.71	2.75 (F07)	1.23	2.75	0.563
2	3.48	.343	M8 x 1.25	0.56	2.75 (F07)	1.10	2.75	0.563
2-1/2	3.74	.343	M8 x 1.25	0.58	2.75 (F07)	1.10	2.75	0.563
3	5.71	.748	M10 x 1.5	0.69	4.02 (F10)	1.87	3.54	0.748
4	6.15	.748	M10 x 1.5	0.69	4.02 (F10)	1.87	3.54	0.748
6	7.91	1.02	5/8-11	1.69	5.51 (F14)	3.07	5.04	1.634
8	10.44	1.02	M12 x 1.75	1.65	4.92 (F12)	3.58	4.53 x 6.18	1.713

The dimensions above are for information only. Please refer to Sharpe® Valves if you need dimensions for construction.

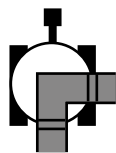
Pressure-Temperature Ratings Series D54



P1**: 90° Rotation flow from center to right or left



Flow Left



Flow Right

Applicable Standards

Wall Thickness	ASME B16.34
Face to Face Dimensions	ASME B16.10
Flange Dimensions	ASME B16.5
Pressure Test	API 598

TFM® is a registered trademark of Dyneon, LLC.

**Not to be used as an isolation valve.

How to Order

Size	Series	Class		Alloy		Seat		Seal		Flow Plan	
1	D54	11	150	4	Carbon Steel	T	PTFE	T	PTFE	P1	90° Rotation flow from center to left or right
1-1/2				6	Stainless Steel	M	TFM®	G	Graphite		
2						N	Nova				
2-1/2											
3											
4											
6											
8											

TFM® is a registered trademark of Dyleon, LLC

Due to continuous development of our product range, we reserve the right to change the dimensions and information for this product as required.

